

CE314-SN

Quad SDI PCIe Capture Card



Features

- HD-SDI max. capturing 1920 x 1080 30fps
- 3G-SDI max. capturing 1920 x 1080 60fps
- Real-time uncompressed video
- Low latency
- BNC connectors input
- Hardware scaling
- Hardware de-interlacing
- Hardware color space convert
- Multiple devices on one host
- Simultaneous multiple channel capturing

Introduction

CE314-SN is a PCIe Gen1x4 capture card equipped with HD-SDI and 3G-SDI with embedded audio inputs via BNC connectors for a more secure cable connection. With its 3G-SDI video source input it is able to support astounding uncompressed real-time video capturing of up to Full HD (1920 x 1080 60fps). Along with AVerMedia proprietary SDK, it can be easily and seamlessly integrated into several of vertical applications, which require superb video quality such as IP cam, broadcasting, surveillance, etc. With AVerMedia Windows and Linux driver support, clients are able to choose from a wide range of platforms according to each specific need; making the CE314-SN the best choice for all Full HD professional capturing applications.

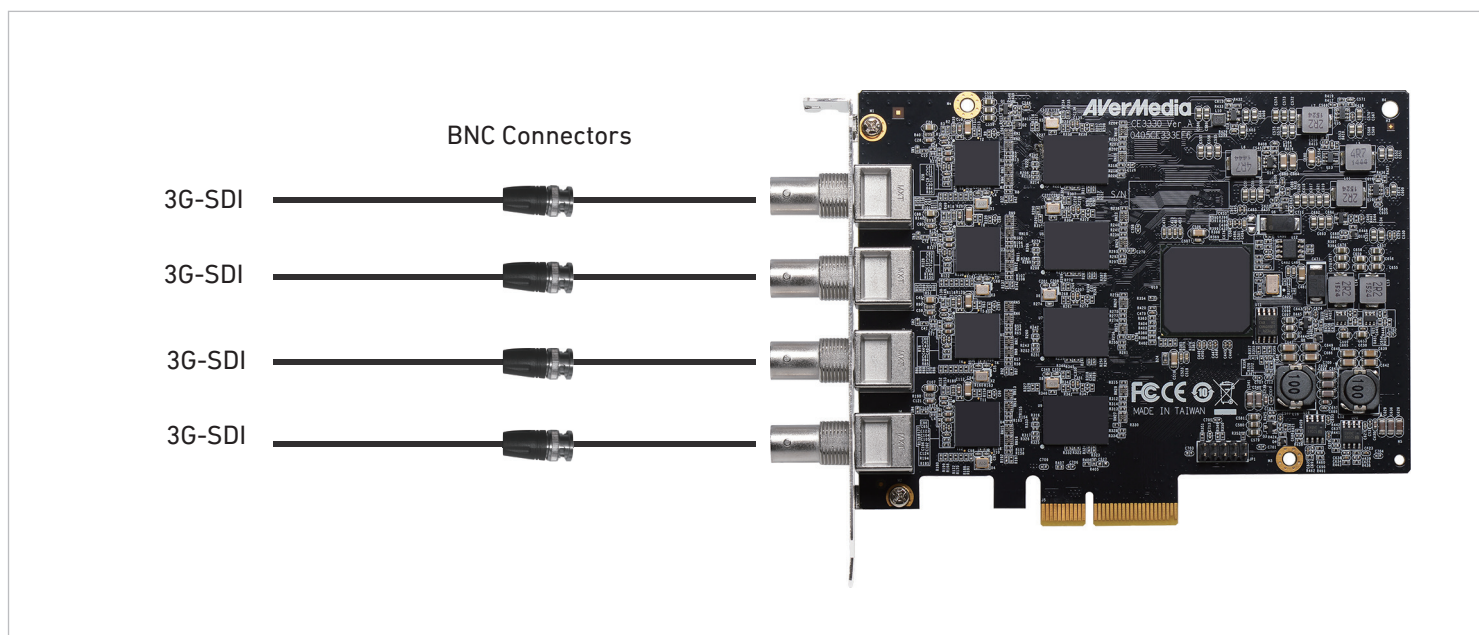
Hardware Scaling, De-Interlacing and Color Space Conversion

AVerMedia hardware-based video engine technology implements the most useful video processing functions like de-interlacing for a shaper image, color space conversion for a more true to life video color and scaling. This can significantly assist to reduce the computing efforts on hardware and software in order to focus on other important parts of application in hand.

Re-cabling unnecessary

BNC connectors allow for easy installation of any HD-SDI and 3G-SDI source without any extensive modification to already established cabling. This means, when upgrading to and HD-SDI or 3G-SDI system, only front-end and back-end products need to be replaced. This approach increases time efficiency while cutting labor costs.

Connection Diagram



Specifications

Host Interface	PCIe Gen1 x 4
Audio Interface	SDI Embedded Audio (8 Ch per input)
Audio Format	PCM
Audio Sampling Rate	48KHz
Connector Type	BNC
Input Interface	HD-SDI / 3G-SDI
Video Format	YUV 4:2:2
Color Depth	8-bit
Channel No.	4 Ch HD-SDI 2 Ch 3G-SDI
Max. Input Resolution	1920 x 1080 60fps
Max. Capturing Resolution	4 Ch HD-SDI 1920 x 1080 30fps 2 Ch 3G-SDI 1920 x 1080 60fps

Encoding Mode	Software Encoding
Multi-Channel Support	Yes
Multi-Card Support	Yes
Supported OS	Windows 7/8.1/10 (32/64 bit) Linux (32/64 bit)*
Dimensions (L x W)	137.8 mm x 100 mm
Form factor	PCIe Full-height
Power Consumption	6.3W
Operating Temperature	0°C ~ 40°C
Operating Humidity	5% ~ 80% Relative Humidity
Safety Certification	CCC / FCC / CE

* Linux Services

- Support Linux kernel 2.6.14 version and later based on V4L2 & ALSA framework
- Driver customization service by request

Versatile SDK

AVerMedia software development kit (SDK), a set of development tools that allows a software engineer to seamlessly integrate video capture modules into application specific systems. Available upon request are the SDK Basic, SDK Pro and to better match each applications specific requirements a premium add-on kit.

Ordering Information

- CE314-SN : Quad SDI PCIe Capture Card
- Accessories
 - Quick Installation Guide
 - Installation CD
- SDK Kits
 - SDK Basic
 - SDK Pro (Optional)
 - Premium add-on kits (Optional)