

## CL311-M2

Full HD HDMI 1080P 60FPS PCIe Capture Card



### Features

- Max. input resolution 1920 x 1080 60fps.
- Max. capture resolution 1920 x 1080 60fps.
- Supports AV/ S-Video/ Component/ HDMI.
- Compatible with Windows® DirectShow technology.
- Supports color adjustment (brightness, contract, hue, saturation) for all inputs.
- Programmed with VBI function for broadcasting closed captions.
- Recommended for all Full HD professional capturing applications, such as the video wall system, video conference, automatic inspection, etc.

### Introduction

The CL311-M2 is a PCIe HDMI frame grabber capable of capturing videos up to 1080P 60FPS. CL311-M2 is compatible with all range of audio and video sources via the HDMI or component inputs so the users can enjoy Full HD multimedia right on their computers.

### Low Profile Form Factor

Suitable for small-footprint embedded platform, the compact low profile form factor design provides a better use of internal space and reduces cable routing. It increases the use of interior space for a more flexible heat spreading solution.

### Hardware Video Processing

With the AVerMedia Video Engine Technology inside, it can perform various video processing tasks such as frame rate conversion, up/down scaling, de-interlacing, and so on without consuming the computing power of the target platform.

The CL311-M2 has built-in hardware video processing that implements useful video enhancing features to significantly reduce the CPU efforts. This leaves more computing resources for other utilization. In other words, this can help our clients minimize the cost of hardware platforms and development resources.

### Improved Quality and Reliability

With the powerful FPGA-based design, the CL311-M2 is able to achieve a better performance and provide more improved capture quality and reliability.

### Support the VBI Teletext Function

The CL311-M2 is programmed with the vertical blanking interval (VBI) function for broadcasting closed captions.

### Versatile SDK

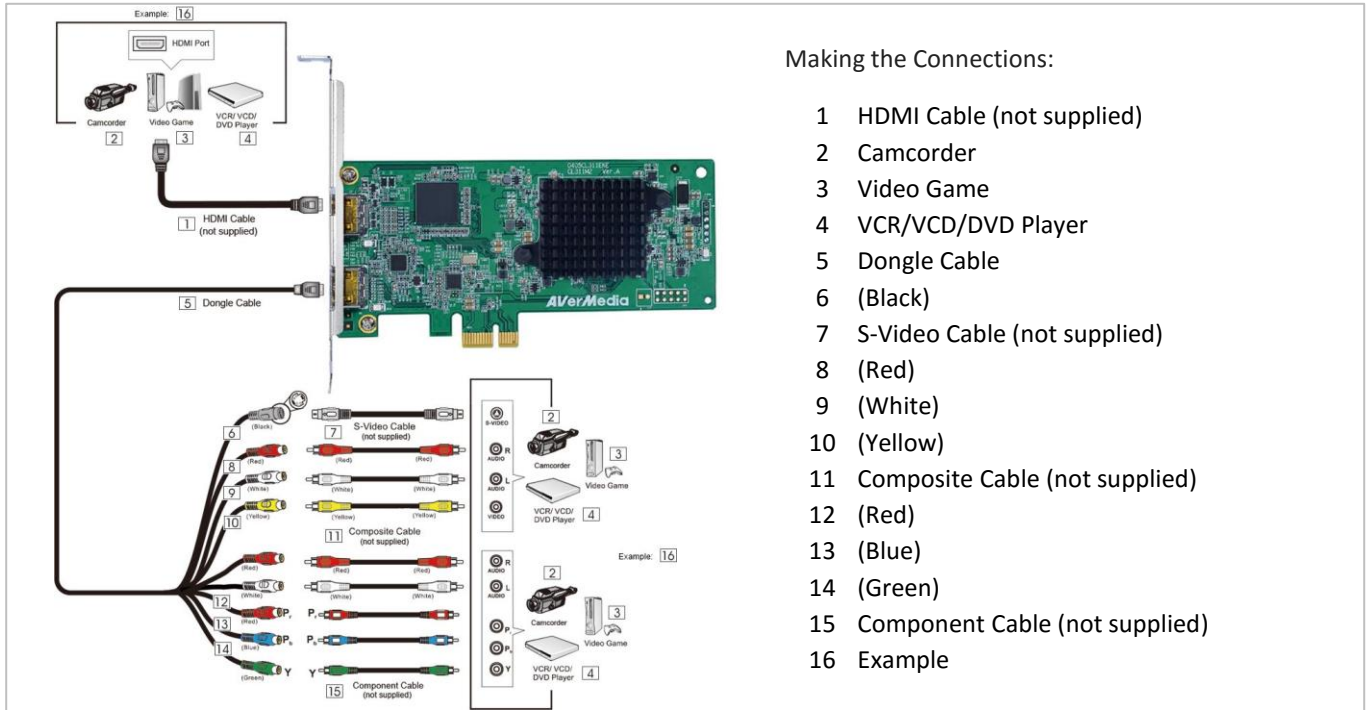
AVerMedia software development kit (SDK) is a set of development tools that allows software engineers to seamlessly integrate video capture modules into application specific systems.

AVerMedia SDK constantly updates the latest industrial standards, protocols, and media formats for optimal compatibility and to support cutting-edge technologies. AVerMedia SDK also supports various programming languages for quick and easy application, providing sample source codes.

# CL311-M2

## Full HD HDMI 1080P 60FPS PCIe Capture Card

### Connection Diagram



### Specifications

Host Interface	PCIe Gen2 x1
Audio Interface	HDMI, L/R
Audio Format	Embedded HDMI, PCM
Audio Sampling Rate	48/44.1/32 KHz
Connector Type	HDMI AV-IN for Composite/ S-Video/ Component/ Audio
Input Interface	Composite/ S-Video/ Component HDMI (1.3a / HDCP 1.3)/ Audio L/R
Video Format	YUY2 (4:2:2), YVYU (4:2:2), UYVY (4:2:2)
Color Depth	8-bit
Channel No.	1 Ch
Max. Input Resolution	1920 x 1080 60fps
Max. Recording Resolution	1920 x 1080 60fps

Encoding Mode	Software Encoding
Multi-Card Support	Yes
Supported OS	Windows 7/ 8.1/ 10 (32/ 64 bits)*
Form Factor	PCIe Low Profile
Dimension (L x W)	138 x 68.78 mm
Power Consumption	4.6W
Operating Temperature	0°C ~ 65°C
Operating Humidity	5% - 80% Relative Humidity
Safety Certification	FCC / CE

All specifications are subject to change without prior notice.

\*Linux driver is coming soon

### Ordering Information

- [CL311-M2](#): Full HD HDMI 1080P 60FPS PCIe Capture Card
- SDK kits :
  - SDK Basic
  - SDK Pro
  - SDK Premium add-on kits
- Accessories:
  - Dongle cable
  - Low-profile bracket