

Data Sheet

FUJITSU Mainboard Accessories

SMARTCASE™ S710 Chassis Kit Solution

Designed for AMD mini-ITX D3313-S

Industrial chassis for enhanced operating temperature range.
Usable in horizontal and vertical mode

Supported Mainboards:

- D3313-S1 (GX-210HA SOC – 2x 1.0GHz/9W) Dual Core
- D3313-S2 (GX-217GA SOC – 2x 1.65GHz/15W) Dual Core
- D3313-S3 (GX-420CA SOC – 4x 2.00GHz/25W) Quad Core
- D3313-S4 (GX-222GC SOC – 2.20GHz/10-15W) Dual Core
- D3313-S5 (GX-412HC SOC – 1.20GHz/5-7W) Quad Core
- D3313-S6 (GX-424CC SOC – 2.40GHz/25W) Quad Core

[Data Sheet](#)

Approvals & Certifications:

- Mainboard D3313-S certified for MS Windows 7 & Windows 8.1
- System unit approved according CE EMC regulations
- System unit approved for enhanced temperature range

Product Features:

- HDD/system fan (4 pin PWM) included
- SATA data cable and power cable included
- Chassis desk stand (horizontal/vertical, removable) included
- Chassis wall mount included
- Chassis intrusion support
- Kensington lock support
- Mechanical lock for DC-in power connector
- Mounting option for 2.5" HDD
- Mounting option for WLAN antenna via (RP-)SMA connector
- Mounting option for PCI / PCIe riser (low profile)
- Mounting option for additional serial port

Order Code:

S26361-F5000-J002 (10 pcs)



(Chassis with desk stand)



(Chassis with wall mount)

Features and benefits

Chassis

Size	250 x 52 x 191 mm (w x h x d)
Colour	anthracite
Weight	~ 1kg

Operating Conditions

Approved operating temperature range

D3313-S1: fanless, horizontal or vertical mode	0°C – 35°C ¹⁾
D3313-S1 / S2 / S4: Heatsink with heatpipe, fanless horizontal or vertical mode	0°C – 35°C ¹⁾
D3313-S1 / S2 / S3 / S4 / S5: CPU fan + HDD fan horizontal or vertical mode	0°C – 50°C ¹⁾
D3313-S5: fanless, horizontal or vertical mode	0°C – 40°C ¹⁾

1) = Chassis ambient temperature

Humidity

5% - 85% relative humidity (non-condensing)

HDD fan specification

PWM (4 pin), 40 x 40 x 10mm

1750 – 5.500 rpm (nominal)

Two ball bearing

Operating temperature range: -10°C – 70°C

MTBF: 70.000 hours @ 40°C

Note: HDD fan not required for D3313-S1 with passive heatsink and D3313-S2 with heatpipe-heatsink ($T_{Ambient} \leq +35^{\circ}C$)

Package content

Chassis bottom/top incl. front bezel; I/O with integrated EMI gasket

HDD carrier incl. 4 pin PWM fan

Riser card holder incl. power button / power LED and intrusion switch

HDD SATA cable and power cable for one drive (length = 250 mm each)

Optional Accessories

Passive heatsink (9W)	S26361-F5000-C006
Passive heatsink with heatpipe (15W)	S26361-F5000-C007
Active heatsink with fan (25W)	S26361-F5000-C005
Note: All heatsinks incl. backplate	
Additional serial port cable (AZR:AW-NU224)	S26361-F5000-K005
Drive Power Cable (HDD + DVD slim)	S26361-F5000-K001
1x PCIe riser card D3318 (for D3313-S)	S26361-F5000-R006
DP to DVI adapter cable	S26361-F5000-A003
DVI-I to VGA Adapter	S26361-F5000-A001
TPM Module V1.2 (Infineon D3127)	S26361-F5000-R005
Internal PSU Module 12V/65W (Note: Requires AMD kit solution \geq Rev. 06)	S26361-F5000-P004



Features and benefits

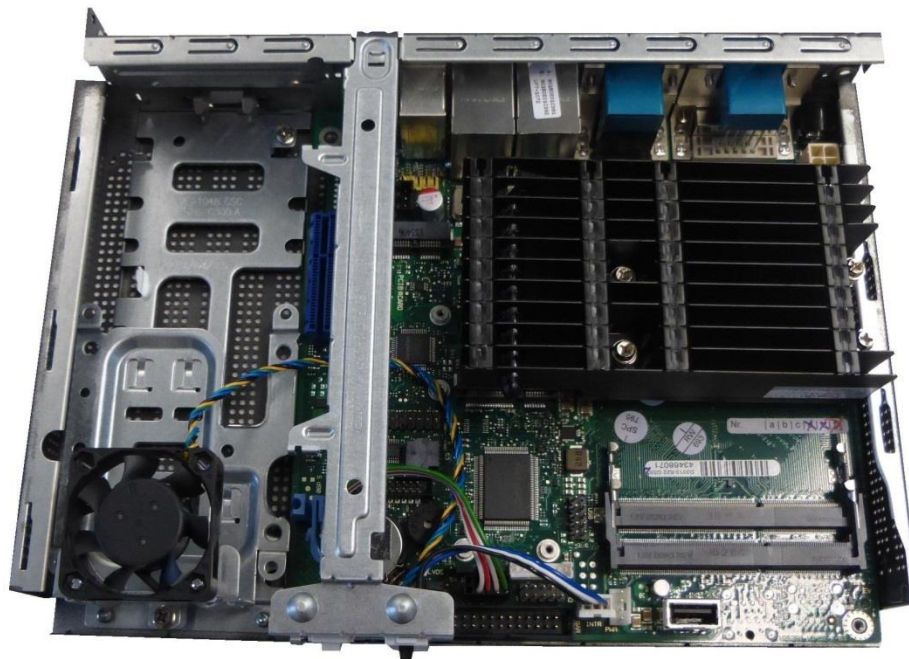
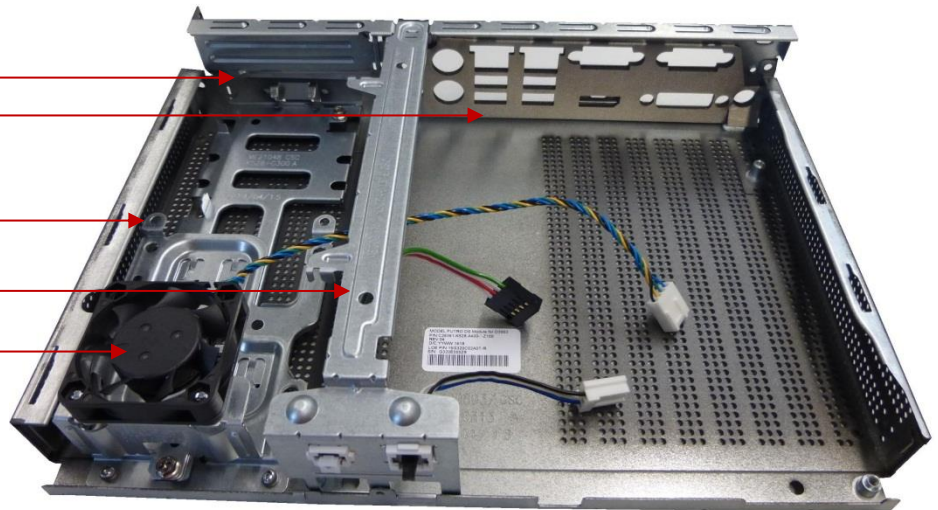
Aperture for additional serial port and WLAN (RP-) SMA connector (Ø 7.2mm)

Integrated EMI gasket

Mounting space for 2.5" HDD

Riser card holder with integrated power button (illuminated) and chassis intrusion switch

Integrated HDD / system fan



Chassis with mainboard D3313-S and passive 15W heatsink (with heatpipe)



Chassis rear view

Aperture for DisplayPort with removable cover.
Note: Cover required for D3003-S1/S3

Aperture for optional COM3 connector with removable cover (metal clip)

Aperture for optional (RP-) SMA antenna connector with removable cover (Ø 7.2mm)

Fujitsu Mainboard Accessories

Passive Mini-ITX Heatsink AMD for Industrial Mainboards

D3313-S1

Passive Heatsink Kit for Mini-ITX mainboards – designed for fanless chassis solutions for AMD embedded G-Series SoC (D3313-S1)

Heatsink F5000-C006:

Full aluminum
Spring-loaded mounting screws for specified downforce
Recommended mounting screw torque = 0.6Nm

Order Code:

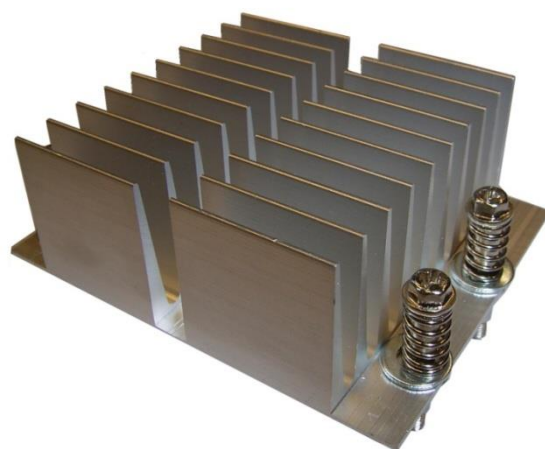
S26361-F5000-C006 (backplate included)

Backplate:

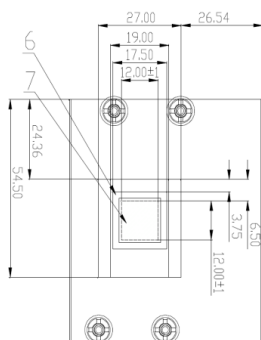
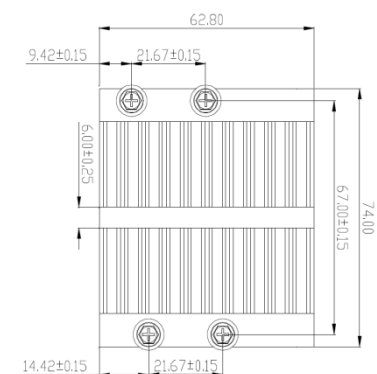
Metal backplate, provides 4 mounting threads for heatsink

Supported processors:

D3313-S1: AMD GX-210HA SOC (1GHz DualCore / 9W)



Dimensions:



(insulating foil resp. insulating plate)
V26898-B883-V100 (alternative backplates) V26898-B883-V10

Important Note:

Insulating foil of backplate –B883-V100 must NOT be removed, otherwise mainboard may be damaged due to possible shortcut.

Designed to fit for
AMD Mini ITX Chassis!

Order Code:
10S26361-F5000-J002

Fujitsu Mainboard Accessories

Passive Mini-ITX Heatsink with Heatpipe AMD for Industrial Mainboard D3313-S1/S2/S4 (@ cTDP=15W)/S5

Passive Heatsink with Heatpipe Kit for Mini-ITX mainboards – designed for fanless chassis solutions for AMD embedded G-Series SoC (D3313-S1/S2/S4/S5)

Heatsink F5000-C006:

Full aluminum
Spring-loaded mounting screws for specified downforce
Recommended mounting screw torque = 0.6Nm

Order Code:

S26361-F5000-C007 (backplate included)

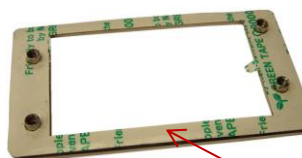
Backplate:

Metal backplate, provides 4 mounting threads for heatsink

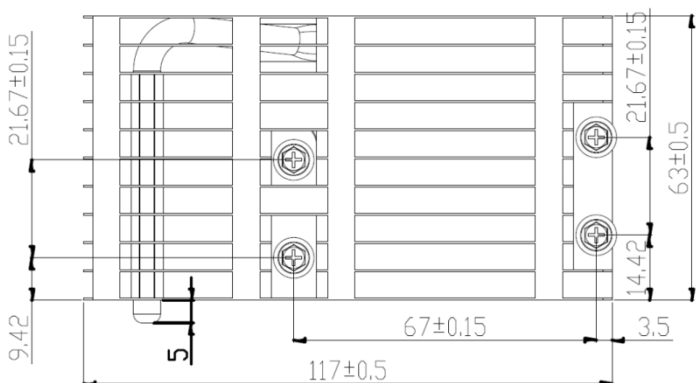
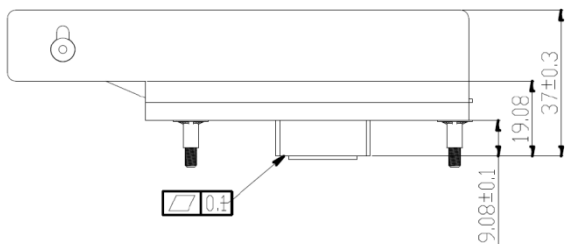
Supported processors:

- D3313-S1 (GX-210HA SOC – 2x 1.0GHz/9W) Dual Core
- D3313-S2 (GX-217GA SOC – 2x 1.65GHz/15W) Dual Core
- D3313-S4 (GX-222GC SOC – 2.20GHz/10-15W) Dual Core
- D3313-S5 (GX-412HC SOC – 1.20GHz/5-7W) Quad Core

Dimensions:



(insulating foil resp. insulating plate)
V26898-B883-V100 (alternative backplates) V26898-B883-V10



Important Note:
Insulating foil of backplate –B883-V100 must NOT be removed, otherwise mainboard may be damaged due to possible shortcut.

Designed to fit for
AMD Mini ITX Chassis!

Order Code:
10526361-F5000-J002

Fujitsu Mainboard Accessories

Mini-ITX Heatsink AMD for Industrial Mainboards

D3313-S

Active Heatsink for mini-ITX mainboard – designed for silent but effective cooling for AMD embedded G-Series APU / embedded G-Series SoC processors up to 25W TDP

Heatsink F5000-C005:

Full aluminum incl. metal backplate
Spring-loaded mounting screws for specified downforce
Weight: 160g

Order Code:

S26361-F5000-C005 (backplate included)

Integrated Fan:

Fan: 60 x 60 x 15.5 mm, 12 VDC, dual ball bearing
Power consumption: max. 0.46A @ 100% PWM duty cycle
Speed: 900 rpm - 6.000 rpm (nom. speed)
Sound level: 49.2 dB(A) max.
Operating temperature range: -10°C – 70°C
MTBF: 70.000 hrs @ 40°C

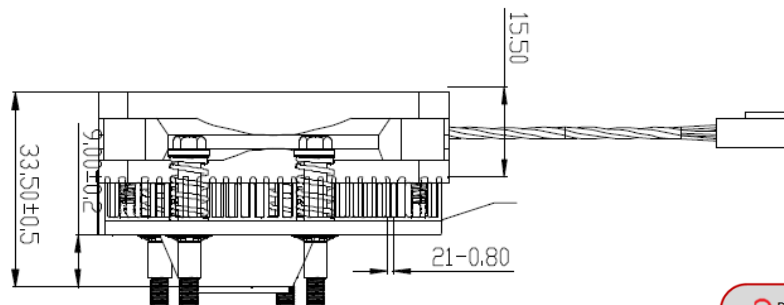
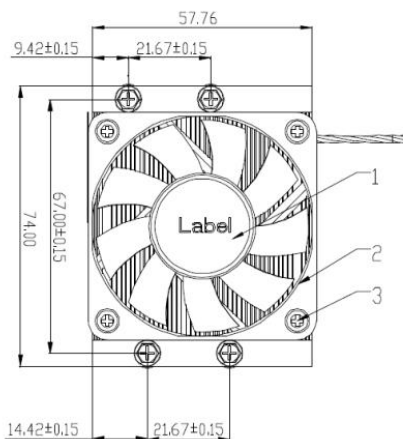
Supported Processors:

All AMD embedded G-Series / G-Series SoC processors up to 25W TDP

Heatsink Mounting:

Recommended mounting screw torque = 0.6Nm

Dimensions:



(insulating foil resp. insulating plate)
V26898-B883-V100 (alternative backplates) V26898-B883-V10

Important Note:

Insulating foil of backplate –B883-V100 must NOT be removed, otherwise mainboard may be damaged due to possible shortcut.



Fujitsu Mainboard Accessories

Fujitsu Risercard for mini-ITX Mainboards

PCI & PCIe Risercards for using PCIe extension cards on mini-ITX boards D3313-S

Usability:

Enables the use of extension cards
Flexible operation of mini-ITX Boards

Reliability:

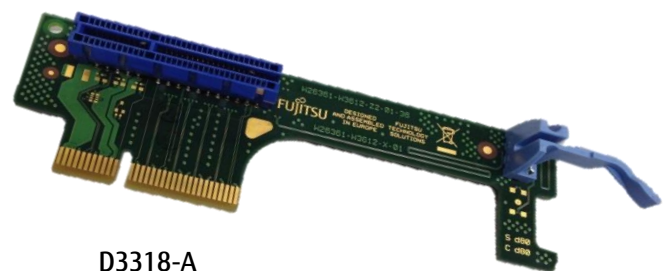
Performance in PCI and PCIe standard
Designed for 24/7 operation
Designed for extended temperature range up to 60°C

Approvals

CE

Order Code:

S26361-F5000-R006 (D3318-A)



D3318-A



Fujitsu Mainboard Accessories

TMP Module D3127-A

Optional TPM V1.2 (Infineon) module for D3313-S

Usability:

Easy and secure upgrade for D3313-S with TPM V1.2 for enhanced security applications

Reliability:

Designed for 24/7 operation

Approvals

CE

Order Code:

S26361-F5000-R5 (D3127-A)

Package Content:

TPM module
Mounting kit (nondetachable screw)
Note: No software included

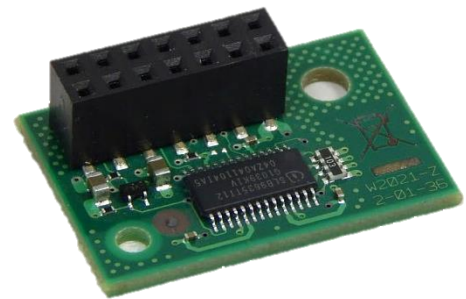
Driver Support

TPM V1.2 driver support is included in MS Windows 7 / Windows 8.1

Software Support

Infineon TPM Professional Package is available here:

<http://support.ts.fujitsu.com/Download/ShowDescription.asp?SoftwareGUID=1C4FA7B0-173C-44F2-8210-8B523194FB48&Info=FTS&lng=DE>



D3127-A



Fujitsu Mainboard Accessories

19V/65W AC-Adapter – S26361-F5000-P3

Suitable for Mainboards D3313-Sx / D3474-B

Supported Mainboards:

D3313-S1/S2/S3 (AMD eKabini)
 D3313-S4/S5/S6 (AMD SteppEagle)
 D3474-B (Intel, H110, LGA1151)

Product Features:

Input: 100-240V
 Output: 19V / 3.42A

Operating conditions

Temperature range 0°C - 40°C
 Humidity 10% - 90% relative

Approvals

CE, FCC, UL, CCC, TÜV/GS, PSE, ECA

Reliability

MFBF > 20.000 h



AC Input Voltage

Nominal input voltage range	100V - 240V
Min/max input voltage range	90V - 264V
Line frequency	50Hz / 60Hz ±5%
Max total harmonic distortion of input voltage	≤ 5%
Input hold up time nominal load @ 115/230V	≥ 5ms

AC Input:



Main DC Outputs

Output power	65W
Nominal voltage	19V
Regulation tolerance	± 5%
Min. current	0A
Continuous current	3.42A
Ripple and noise (bandwidth limit of 20MHz)	300mV
Max. recovery time	< 1ms
Max. step load ΔI	1.95A
LPS (limited power source)	Yes

Order Code:

- S26361-F5000-P3

Contains AC adapter (w/o mains power cable)

Designed to fit for
AMD Mini ITX Chassis!
Order Code:
10526361-F5000-J002

Data Sheet

Fujitsu Mainboard Accessories

12V Internal PSU E598-V50

Suitable for Industrial Mainboards D3313-S / D3543-S / D3433-S / D3434-S

Supported Mainboards (Chassis Kit Solutions)

- D3313-S
- D3433-S (support for E598 planned)
- D3434-S (support for E598 planned)
- D3543-S (support for E598 planned)

Product Features

Input: 100-240V ~ 1.5A 50-60Hz
 Output: 12V / 5.4A

Operating conditions

Temperature range 0°C - 50°C with nominal load
 Humidity 5% - 85% relative

Approvals

CE; CCSAUS or CULUS; NEMKO; BSMI-RoHS; CCC; KC

Reliability

MTBF (MIL 217F) > 100.000 h (25°C)

AC Input Voltage

Nominal input voltage range	100V - 240V
Min/max input voltage range	90V - 264V
Line frequency	47Hz - 63Hz
Max total harmonic distortion of input voltage	≤ 5%
Input hold up time nominal load @230V50Hz	≥ 16ms

Main DC Outputs

Output power	65W
Nominal voltage	12V
Regulation tolerance	± 5%
Min. current	0A
Ripple and noise (bandwidth limit of 20MHz)	120mV
Max. step load ΔI	3.3A
LPS (limited power source)	Yes



Order Code

S26361-F5000-P4
 includes

- Internal PSU module E598-V50
- Internal DC cable for D3313-S kit solution (T26139-Y4030-V10; 320mm)
- Internal DC cable for D3543-S kit solution (T26139-Y4030-V9; 110mm)

Mains power cable is NOT included!

Efficiency

% of nominal load	Efficiency @230V
5%	>80%
10%	>84%
20%	>87%
50%	>90%
100%	>87%

Connector Details

Mains Input Socket:
IEC 60320/C8



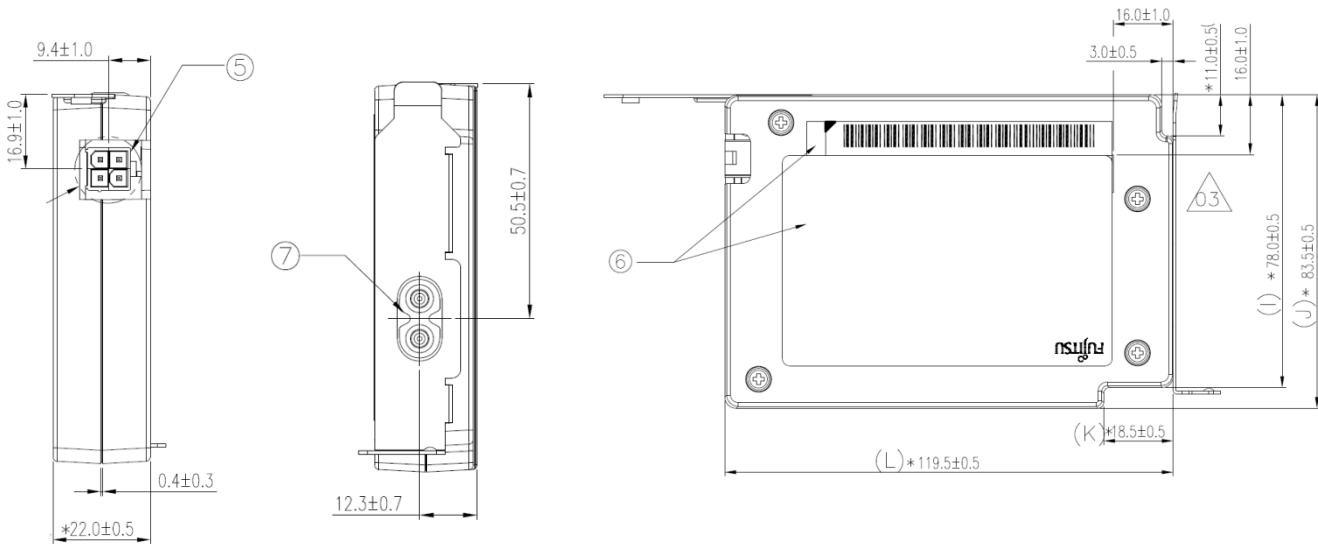
100-240V AC

12V DC Output Socket:
Molex 4-Pin

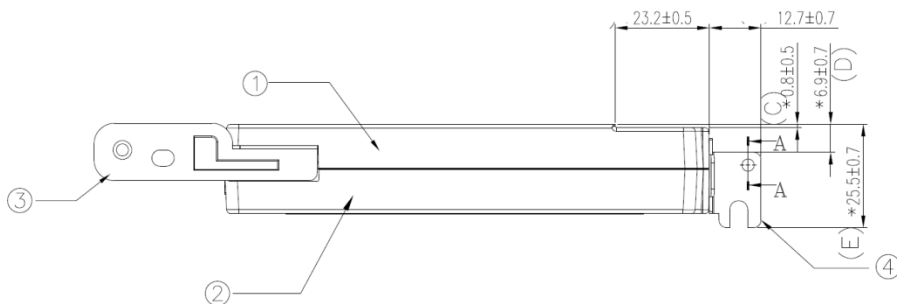


Pin 1/2	GND
Pin 3/4	12V

Mechanical Dimensions



ITEM	PART NAME	COLOR
①	CHASSIS	BLACK
②	COVER	BLACK
③	PSU HOLDER	NATURAL
④	BRACKET	NATURAL
⑤	OUTPUT CONNECTOR	WHITE
⑥	LABEL	BLACK
⑦	SOCKET ASS'Y	BLACK



More information

Fujitsu products, solutions & services

Products

www.fujitsu.com/global/products/

In addition to the Fujitsu [Product name], Fujitsu offers a full portfolio of other computing products.

Computing products

- Storage systems: ETERNUS
- Server: PRIMERGY, PRIMEQUEST, Fujitsu SPARC M10, BS2000/OSD Mainframe
- Client Computing Devices: LIFEBOOK, STYLISTIC, ESPRIMO, FUTRO, CELSIUS
- Peripherals: Fujitsu Displays, Accessories
- Software
- Network

Product Support Services with different service levels agreements are recommended to safeguard each product and ensure smooth IT operation.

Solutions

<http://www.fujitsu.com/global/solutions>

The Fujitsu solutions combine reliable Fujitsu products with the best in services, know-how and worldwide partnerships.

Fujitsu's Solutions include parts of one or more activity groups (e.g., planning, implementation, support, management, and training services) and are designed to solve a specific business need.

Infrastructure Solutions are customer offerings created by bringing Fujitsu's best products, services and technologies together with those from partners to deliver benefit to our customers' businesses.

Industry Solutions are tailored to meet the needs of specific verticals.

Business and Technology Solutions provide a variety of technologies developed to tackle specific business issues such as security and sustainability, across many verticals.

Services

www.fujitsu.com/global/services/

Several customizable Fujitsu Service offerings ensure that IT makes a real difference and delivers true business value. We do this by leveraging our extensive experience in managing large, complex, transformational IT programs to help clients in planning, delivering and operating IT services in a challenging and changing business environment.

Application Services support the development, integration, testing, deployment and on-going management of both custom developed and packaged applications. The services focus on delivering business and productivity improvements for organizations.

Business Services respond to the challenge of planning, delivering and operating IT in a complex and changing IT environment.

Managed Infrastructure Services enable customers to deliver the optimal IT environment to meet their needs – achieving high levels of IT service quality and performance for data center and end user environments.

Fujitsu green policy innovation

www.fujitsu.com/global/about/environment/

Fujitsu Green Policy Innovation is our worldwide project for reducing burdens on the environment. Using our global know-how, we aim to resolve issues of environmental energy efficiency through IT. Please find further information at:



More information

Learn more about Fujitsu, please contact your Fujitsu sales representative, Fujitsu business partner, or visit our website.
www.fujitsu.com/fts/mainboards/

Copyright

© 2015 Fujitsu Technology Solutions GmbH
Fujitsu and the Fujitsu logo are trademarks or registered trademarks of Fujitsu Limited in Japan and other countries.

SMARTCASE™ is a trademark or a registered trademark in Europe and in other countries. All rights reserved, including intellectual property rights. Changes to technical data reserved. Delivery subject to availability. Any liability that the data and illustrations are complete, actual or correct is excluded.

Disclaimer

Technical data subject to modification and delivery subject to availability. Any liability that the data and illustrations are complete, actual or correct is excluded. Designations may be trademarks and/or copyrights of the respective manufacturer, the use of which by third parties for their own purposes may infringe the rights of such owner.

Contact

FUJITSU Technology Solutions
OEM Mainboard Sales
Email: oem-sales@ts.fujitsu.com

Website: <http://ts.fujitsu.com>
2018-02-06