

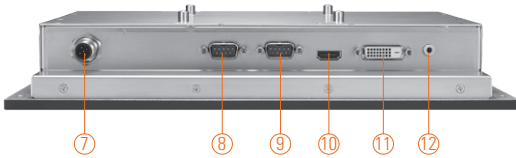
P6105

10.4" XGA Transportation Touch Display with EN50155 T1 Class (-25°C ~ +55°C)

NEW



1. Menu
2. SEL+
3. SEL-
4. Exit
5. Power LED
6. Power switch



- | | |
|-------------------------------|-------------|
| 7. DC power input | 10. HDMI |
| 8. IR remote control (RS-232) | 11. DVI-D |
| 9. T/S Port (RS-232) | 12. Line-in |

Features

- 10.4" XGA (1024 x 768) color TFT LCD touchscreen display
- Wide viewing angle and high brightness 500 nits
- Supports 5-wire resistive touch
- Supports light sensor for auto-dimming (optional)
- Supports DVI-D & HDMI input
- 24VDC or 110VDC power input
- Supports front panel mount and VESA 100, optional desktop stand
- Supports 5 keys OSD
- Optional IR remote control



▲ Side view



Introduction

The P6105 adopts a 10.4 inch XGA TFT LCD with 500 nits brightness and a 5-wire resistive touch screen with IP65 grade aluminum front bezel to provide protection of liquid damage and user friendly control interface.

Wide Temperature (-25°C ~ +55°C) supported

The 10.4 inch railway touch monitor adopts extended temperature technology, with a temperature range from -25°C ~ +55°C, with fanless cooling system and compact design for harsh environment.

High brightness 500 nits & wide viewing angle

The railway grade P6105 adopts a high brightness 10.4-inch LCD, 500 nits, with sunlight readable technology. The screen is legible even under strong sunlight and is readable under skies outdoor in parking lots and more. With wide viewing angle, user won't miss information.

Anti-vibration for railway

With an anti-vibration design, the rugged HMI can work well on the train.

Specifications

Front Bezel	NEMA 4/12 (IP65)-compliant, metal front bezel	
LCD Panel	Display Type	10.4" TFT LCD
	Max. Resolution	1024 x 768
	Max. Colors	16.2M/262k
	Active Area (mm)	210.4 (H) x 157.8 (V)
	Pixel Pitch (mm)	0.0685 (H) x 0.2055 (V)
	Response Time	25ms
	Backlight	LED
	Backlight MTBF	50,000 hrs
	Viewing Angle (H/V)	176°/176°
Display Control	Contrast Ratio	1000 (TYP.)
	Brightness (cd/m ²)	500 nits
	OSD (on screen display)	
Display Mode	VGA 640 x 480 (60/72Hz)	
	SVGA 800 x 600 (60/72Hz)	
	XGA 1024 x 768 (60/72Hz)	

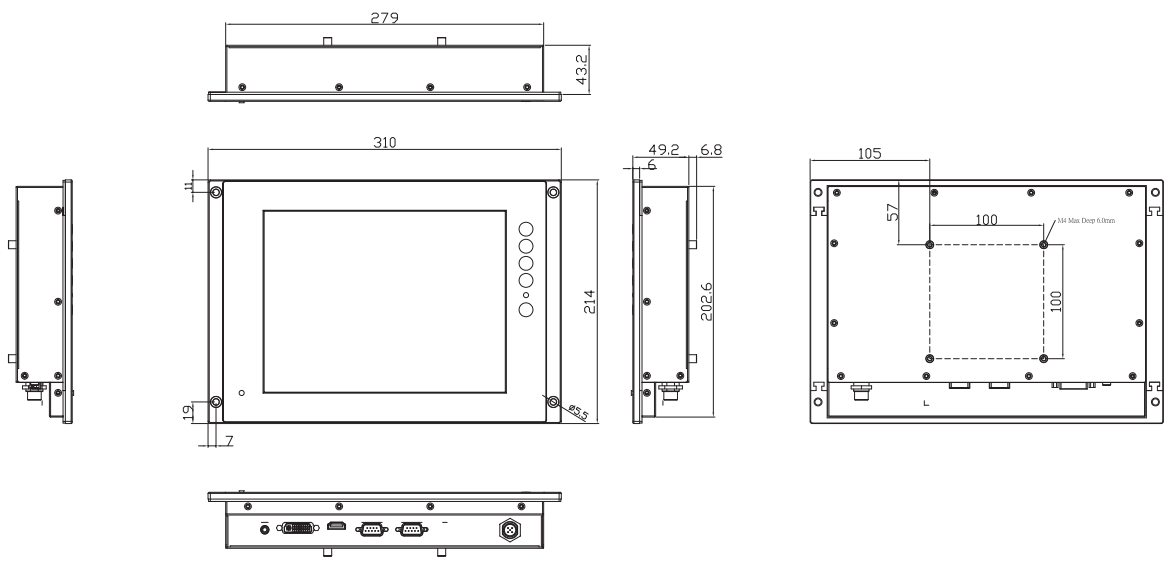
* All specifications and photos are subject to change without notice.



Specifications

Input Signal	HDMI DVI (Only for DVI-D) Touchscreen: Serial RS-232 Interface IR remote control LINE-IN
I/O Connectors	1 x RS-232 for touchscreen version 1 x HDMI 1 x DVI-D 1 x DC power input 1 x RS-232 for IR remote control 1 x LINE-IN
Power Adapter	24VDC or 110VDC power input
Touchscreen	Thickness Resistive: 2.2 mm Light Transmission Resistive: 80% Power Consumption Resistive: +5V @ 100mA Touch Life Resistive: 35million touches Controller interface: RS-232 D-type 9-pin male connector
Dimensions	TBD
Packing Dimensions	TBD
Weight (net/gross)	TBD
Environment	Operating temperature: -25°C ~ +55°C (-13°F ~ +131°F) Storage temperature: -30°C ~ +80°C (-22°F ~ +176°F) Relative humidity: 20%-90%@40°C, non-condensing
Certificate	CE/EN50155

Dimensions



* All specifications and photos are subject to change without notice.