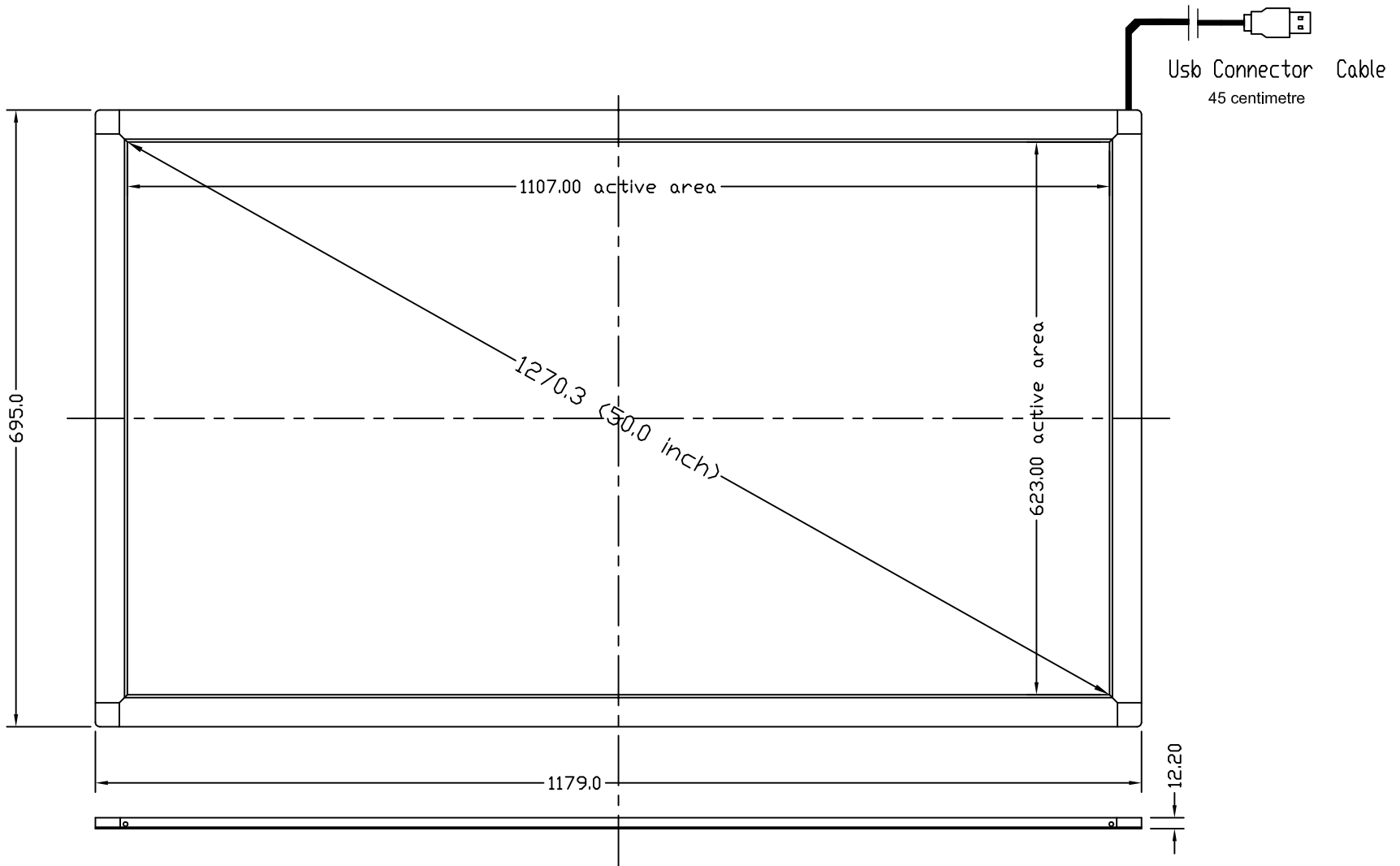


I H G F E D C B A

6  
5  
4  
3  
2  
1



<b>IRTOUCH</b> S Y S T E M S		BEIJING IRTOUCH SYSTEMS CO., LTD.		EXPLODE No:	Rev: <b>B</b>	PROJECTION ⊕
MATERIAL:	DO NOT SCALE DRAWING ALL DIMENSIONS ARE MM TOLERANCE: LINEAR TOL: .X=±1.0 .XX=±0.5 ANGULAR TOL: =±1.0'	PART No: <b>L 50</b>		DRAW No:		
FINISH:		PART NAME: <b>Touchscreen fo 50" lcd</b>		SCALE: 1:1		
ACTION:	DESIGNER:	CHECKED:	APPROVED:	SHEET 1 OF 1		
	DATE:	DATE:	DATE:	A4		